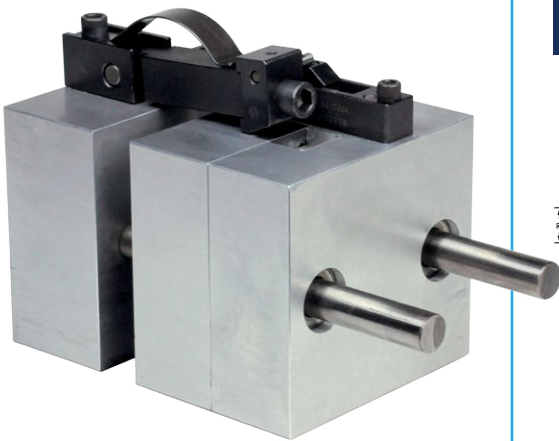




LATCH PULL SYSTEM



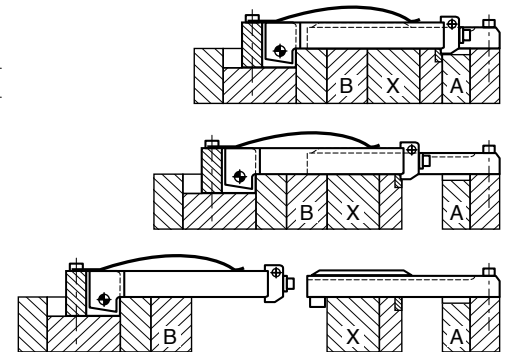
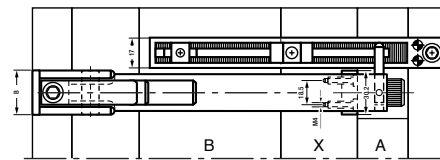
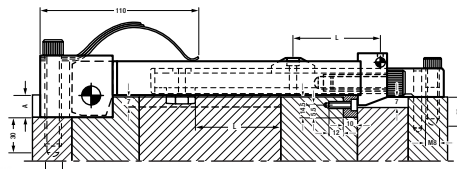
Latch & Cam System for Three and Four Plate Molds



Designed for simplicity and positive plate pulling, the three plate latch system is easily installed. Mounted externally, the latch and cam plate assembly provides for easy adjustment of plate stroke and positive plate stop positions.

The LS01 and LS02 cam plates are easily adjusted by socket head cap screw, while still in the machine. Since the latch and the cam plate are separately attached to the mold, there is no possibility of overstroking the machine and causing mold damage. Available in a variety of sizes to meet your application.

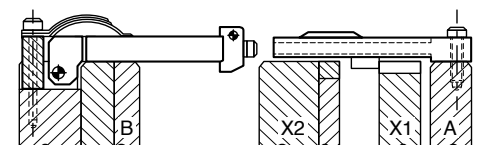
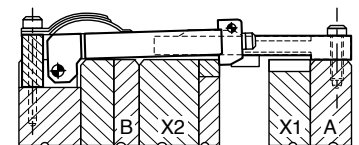
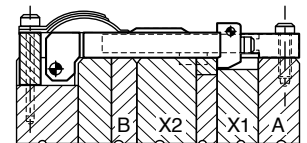
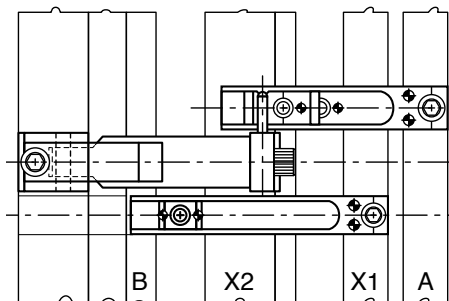
3 Plate Application



Complete Release

A	B	d	ALBA No.
in. / mm. 0.118 / 3	in. / mm. 1.181 / 30	M10	LS 90/1
0.570 / 14.5	1.181 / 30	M10	LS 90/2-3-4
0.570 / 14.5	1.579 / 40	M12	LS 91

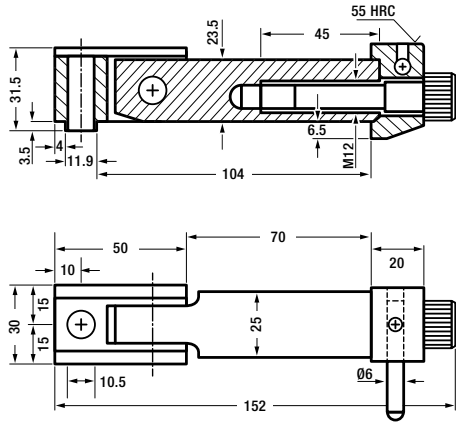
4 Plate Application



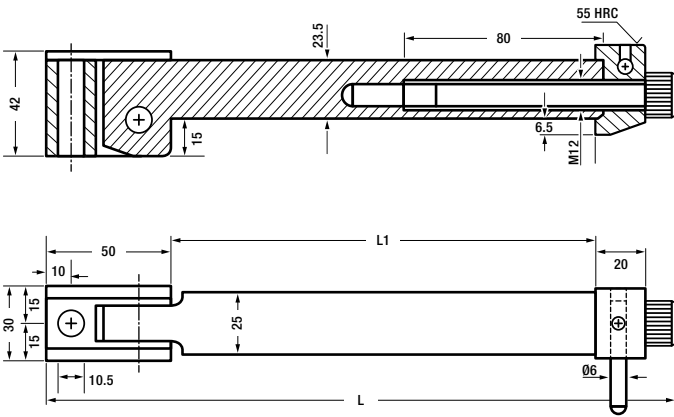
Complete Release

LS 90/..

LATCH



Typ	ALBA No.
S	LS .90/1

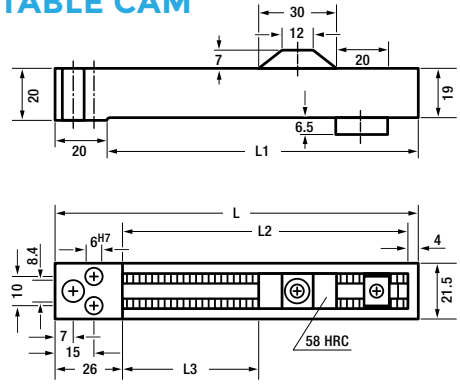


L1	L	Typ	ALBA No.
in. / mm. 3.543 / 90	in. / mm. 6.771 / 172	P	LS 90/2SP
6.693 / 170	9.921 / 252	P	LS 90/2
8.661 / 220	11.890 / 302	P	LS 90/3
10.630 / 270	13.858 / 352	P	LS 90/4

LS 90/0..

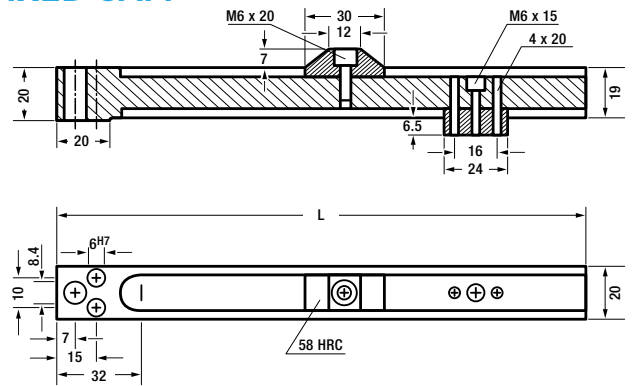
CAM PLATE

ADJUSTABLE CAM



L3 max.	L2	L1	L	Typ	ALBA No.
in. / mm. 2.362 / 60	in. / mm. 4.330 / 110	in. / mm. 4.724 / 120	in. / mm. 5.511 / 140	A	LS 90/01
4.881 / 124	6.850 / 174	7.244 / 184	8.031 / 204	A	LS 90/02
6.850 / 174	8.818 / 224	9.212 / 234	10.0 / 254	A	LS 90/02SP

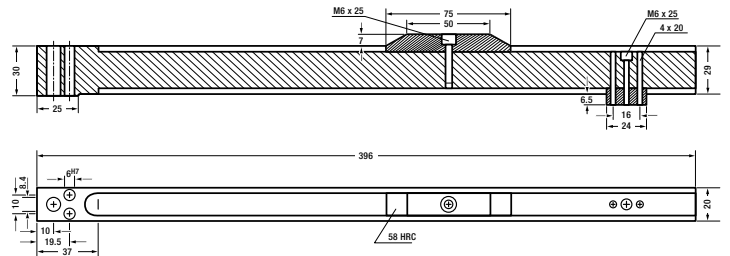
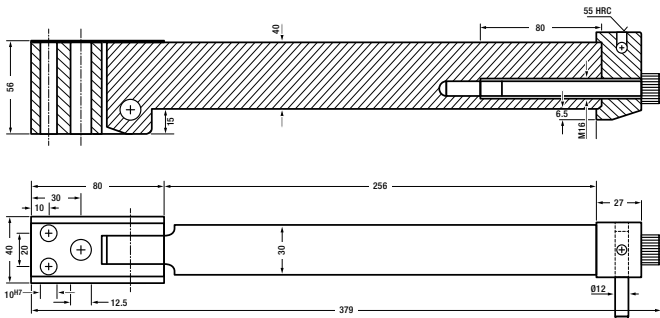
FIXED CAM



L	Typ	ALBA No.
in. / mm. 7.879 / 200	F	LS 90/03
9.892 / 250	F	LS 90/04
11.811 / 300	F	LS 90/05

LS 91

LATCH & CAM PLATE



ALBA ENTERPRISES, LLC

2730 Monterey Street Suite 103, Torrance, CA 90503
 PH: 909.941.0600 • 800.432.6653 • FX: 909.941.0190
 Email: info@albaent.com • www.ALBAENT.com